

# THE ESSENCE OF SANY PRODUCT LIES IN ITS HIGH RELIABILITY

Offering you exceptionally reliable lifting capacity



## Truck Crane

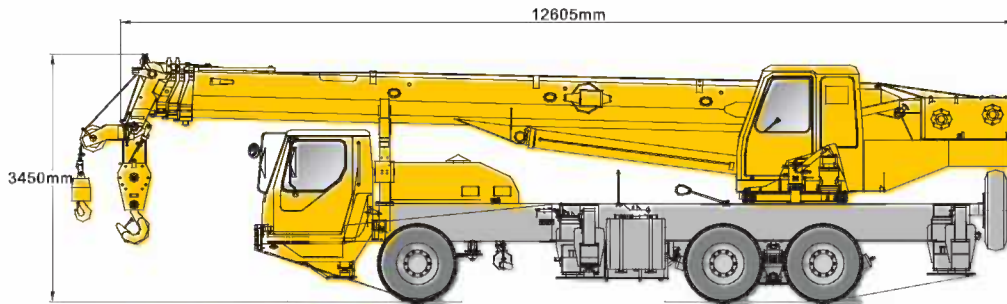
QY25C

- New industrial design: The “Red Star” series designed by a leading design agency in Europe are provided with new appearance and strong associative perception; the advanced mould pressing and electrophoresis process greatly improve the elaboration of product manufacturing;
- Powerful lifting capacity: The hoisting boom is provided with high-strength structural steel and great circle hexagonal section, with good self-centered performance and strong lifting capacity. The maximum lifting moment is 962KN,m, and the largest span of landing leg is 6m with good stability;
- Overlong main boom leading the industry: The length of full stretching main boom is 33.5m and the maximum lifting height is 33.98m;
- High-efficiency working performance: The main and auxiliary hoists adopt 2-gear motor with fast lifting speed in light load and works stably with heavy load; the maximum speed of single rope is 130m/min with high working efficiency; the engine of Euro-iii standard can operate at low rotary speed with low oil consumption, thus archiving effect of energy conservation;
- Best-value ECC system: The unique ECC control management system helps customers master the location and using status of the vehicle at any time through the GPS, thus realizing the real-time management of vehicle across the regions and the fault diagnosis;
- Outstanding running performance: Engine with strong power and high-reliability chassis system make the SANY truck cranes provided with outstanding running performance;
- Strong service guarantee: Relying on powerful service management platform of SANY Group and 6S service offices throughout China as well as adhering to the service concept of “surpassing the industry standard, exceeding customers' expectations” , we strive to provide customers with the highest-quality service.



**SANY**

QUALITY CHANGES THE WORLD



Main technical Specifications of SANY QY25C Truck Crane

Dimensions	Overall length		12600mm	Weight	Overall weight		29400kg			
		Overall width			2500mm		Load		7000kg	
	Overall height		3450mm		Wheel track load of the 1 <sup>st</sup> axle		22400kg			
Wheel base	The 1 <sup>st</sup> and 2 <sup>nd</sup>		4125mm		Wheel track load of 2nd axle and 3rd axle		25t			
	The 2 <sup>nd</sup> and 3 <sup>rd</sup>		1350mm		Max. Rated lifting capacity		3m			
Wheel track	Wheel track of the 1 <sup>st</sup> axle		2079mm	Main performance	Min. Rated range ability		962kN.m			
	Wheel track of the 2 <sup>nd</sup> axle and 3rd axle		1845mm		Max. lifting moment		Fully extended	544kN.m		
Power	Rated power of engine	Dongfeng CUMMINS ISLE29030			Fully extended+jib		340kN.m			
		Sdec SC8DK260Q3			Distance among outriggers		Vertical	5.1m		
	LNTS WP10.270		199 /2200kw/(r/min)		Horizontal		6.0m			
	Max. Torque of engine	Dongfeng CUMMINS ISLE29030			1050 /1100~1900N.m/(r/min)		Primary		10.9m	
Sdec SC8DK260Q3		1000 /1400N.m/(r/min)			Lifting height		Fully extended	33.9m		
Travel speed	Max.travel speed		83km/h		Fully extended+jib		42m	Length of hoisting boom	Primary	10.65m
	Min.travel speed		2.8km/h		Fully extended		33.5m		Fully extended+jib	41.5m
Turning radius	Minimum turning radius		10m		Working Speed	Offset angle of jib		0, 15, 30°		
	Min. turning radius of boom head		12m	Max. Single line speed of main winch(no-load)		130m/min				
Travel	Min. Ground clearance		272mm	Max. Single line speed of auxiliary winch(no-load)		130m/min				
	Approach angle		≥16	Telescoping time of boom		95/56s				
	Departure angle		≥11	Elevation time of boom		72/42s				
	Brake distance (the vehicle speed is 30km/h)		≤9.5m	Swing speed		0-2.5r/min				
	Max. Ground clearance		30%	Time of extending/retracting outrigger (horizontal)		30/18s				
	Oil consumption per 100 Kilometers		≤40L	Time of extending/retracting outrigger (vertical)		30/25s				

Lifting capacity of jib

Elevation angle of main boom (°)	Main boom 33.5m			Auxiliary boom 8m		
	Offset angle(°)			Offset angle(°)		
	0	15	30	0	15	30
	Lifting weight(kg)	Lifting weight(kg)	Lifting weight(kg)	Lifting weight(kg)	Lifting weight(kg)	Lifting weight(kg)
78	2800	2350	1700			
75	2800	2200	1600			
72	2750	2050	1500			
70	2600	1900	1450			
65	2150	1650	1350			
60	1800	1450	1250			
55	1300	1200	1150			
50	950	850	800			

Lifting capacity of main boom

Working range (m)	Main boom10.65m	Main boom14.5	Main boom18.3m	Main boom22.1	Main boom25.9m	Main boom29.7	Main boom33.5m
	Lifting weight (kg)	Lifting weight (kg)	Lifting weight (kg)	Lifting weight (kg)	Lifting weight (kg)	Lifting weight (kg)	Lifting weight (kg)
3.0	25000	18000					
3.5	25000	18000	15000				
4.0	24300	18000	14900	11000	9200		
4.5	21820	17000	14900	11000	9200		
5.0	18900	16500	14500	11000	9150	7500	
5.5	17350	16000	13800	11000	9150	7500	
6.0	15800	15000	13300	11000	8900	7500	
7.0	12200	12200	12100	9500	8300	7400	
8.0	9700	10000	10000	8200	7600	6500	6150
9.0		8500	8250	7800	7200	6200	5600
10.0		7500	6900	6700	6400	5700	5100
11.0		6250	5850	5800	5700	5400	4800
12.0		5500	5160	5100	5100	4800	4380
13.0			4600	4550	4510	4400	4200
14.0			4000	4000	3950	3900	3850
15.0			3500	3500	3550	3550	3700
16.0				3200	3150	3150	3150
17.0				2800	2800	2850	2900
18.0				2600	2580	2580	2550
19.0					2210	2200	2200
20.0					2050	2000	1960
21.0					1800	1800	1800
22.0					1650	1600	1600
23.0						1400	1400
24.0							1300
25.0							1100
Multiplying power	8	8	6	4	4	4	3
Weight of main hook	300kg	300kg	300kg	300kg	300kg	300kg	300kg
Min. Elevation angle of main boom	30	24	28	30	26	35	38
Min. elevation angle of main boom	68	74	76	77	79	79	78



Sany Industry Town, Economic and Technological Development Zone, Changsha, Hunan, China , 410100  
 Website: <http://www.sany.com.cn>  
 Service Hotline: 0086-731-4031000  
 E-mail: [sanyservice@sany.com.cn](mailto:sanyservice@sany.com.cn)

- 1) The hoisting values shown in the Table is the max. Hoisting capacity of the truck crane guaranteed on smooth and solid ground; the values above the bold line shown in the Table depend on the intensity of the truck crane, while that under the bold line are determined by the stability of the truck crane.
- 2) The hoisting capacity shown in the Table includes the weight of hook and hanger.
- 3) The working scope shown in the Table is the actual value including the boom deformation.